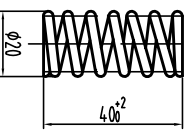
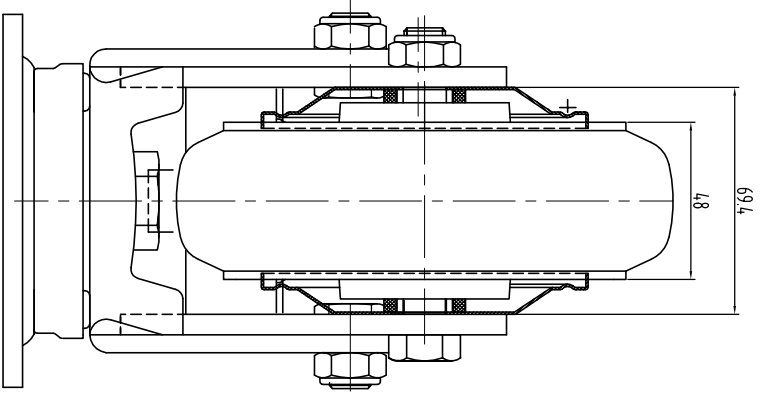
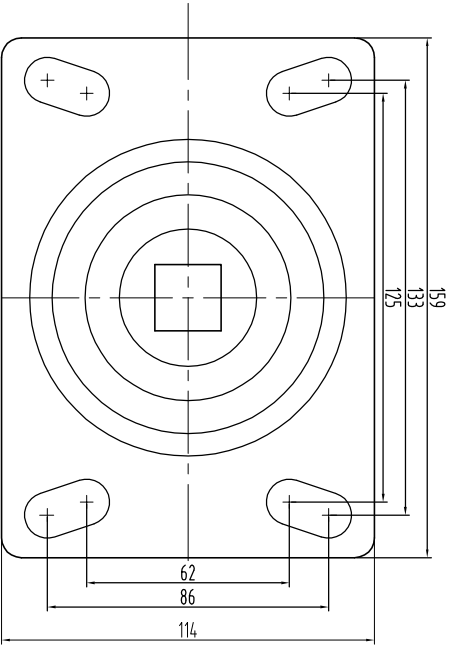
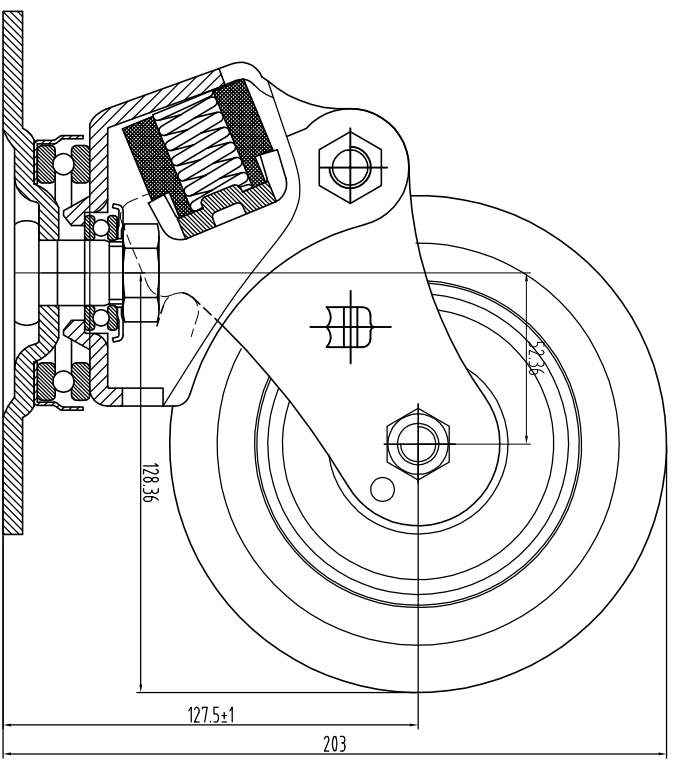


DWG NO.

NO.	DESCRIPTION	MATERIAL	QTY	TREAT	REMARKS
1					



NAME	TP9682-01 PCL B/B S/A
DRAWN	DESIGN
CHECKED	APPROVED
MEMO	
DATE	DATE
SCALE	SCALE
THIRD ANGLE	THIRD ANGLE
DRAW	DRAW
DATE	DATE
2014.01.06	1 / 1
SAMSUNG CASTER CO., LTD.	
ROPINES CASTERS CO., LTD.	
DWG NO.	